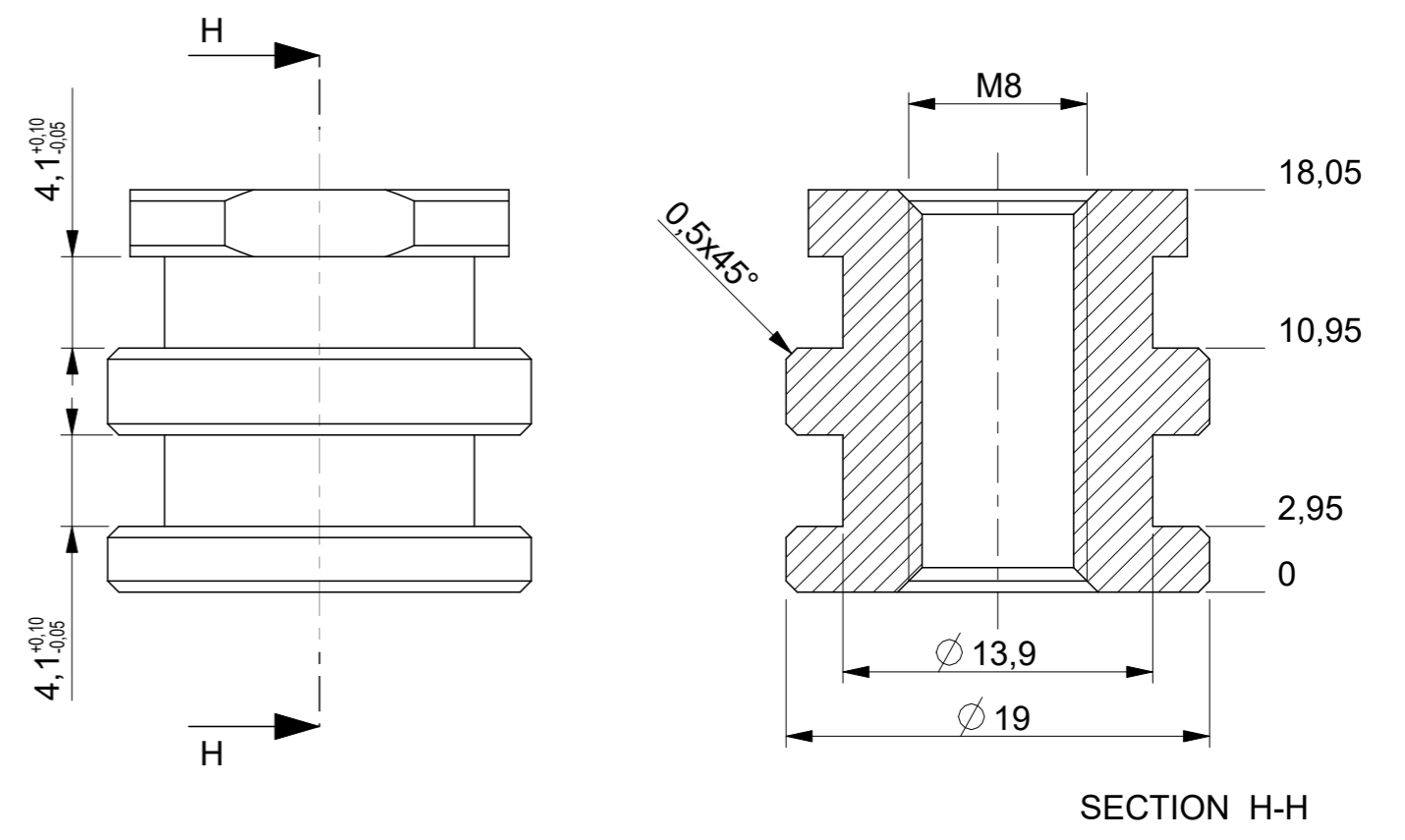
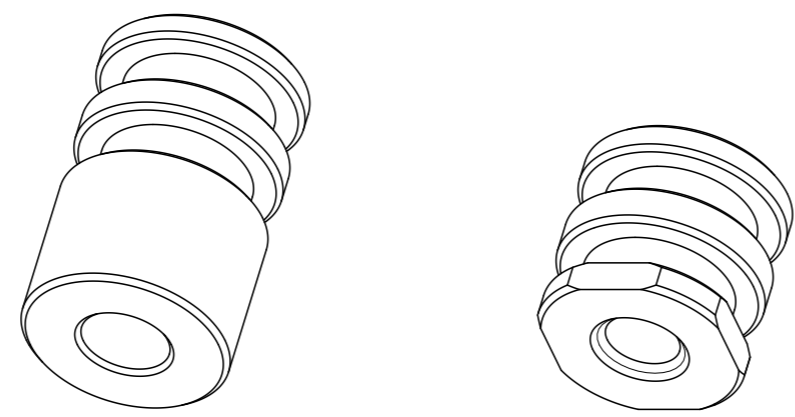
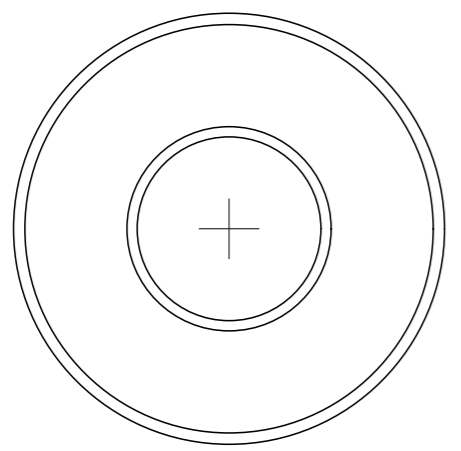
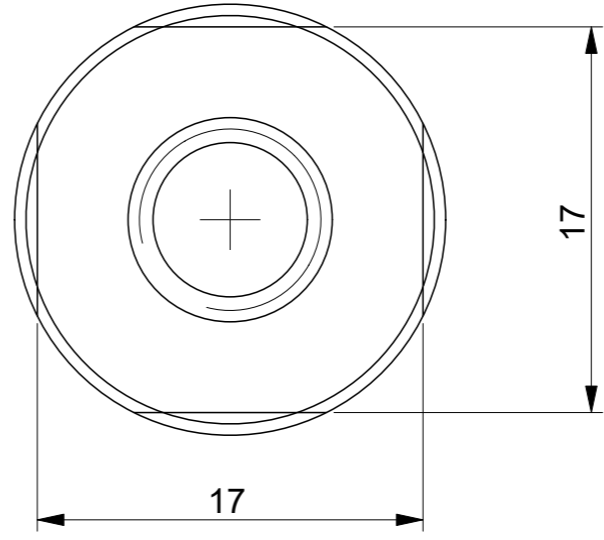


SECTION H-H



SECTION H-H



SCALE 1,500

Material: X5-CR-NI-MO1712-AISI316		Undim. Rounds	Undim. Chamfers
Treatment: -		R=0.2	0.5 x 45°
Tolerances according to UNI ISO 8015	General tolerances UNI EN 22768-1 / 22768-2	Metric threads ISO	Roughness
	Dimensional Tolerance class - m Geometric Tolerance class - K		1.6
Scale 3,000	Drawn/Date	Savoldi	
	Approved/Date		
Description	support bushes H30		Sheet 1/1
	Drawing code		Revision
Mass Kg	Bushes_sissybar_001		0